

2026

LIANG FEI

A Specialized Manufacture for Exhaust System
Manufacture & Development

Website: www.liangfei-muffler.com



LIANG FEI (SOUND WARE) INDUSTRY CO., LTD.

Post Code : 50243 No. 27, Sec.1, Chang-Nan Road, Fen-Yuan Hsiang, Changhua County, Taiwan.

彰化縣芬園鄉彰南路一段27號

TEI: +886-49-2528585

E-mail: liangfei@liangfei.com.tw

FAX: +886-49-2528966

Website: www.liangfei-muffler.com



FU FEI CONVERTER & MUFFLER (TAISHAN) CO., LTD.

Post Code : 529200 No. 9 Nanxing Road, Taicheng, Taishan City, Guangdong Province, China.

廣東省台山市台城南興路9號

TEI: +86-750-5626516/750-5626551

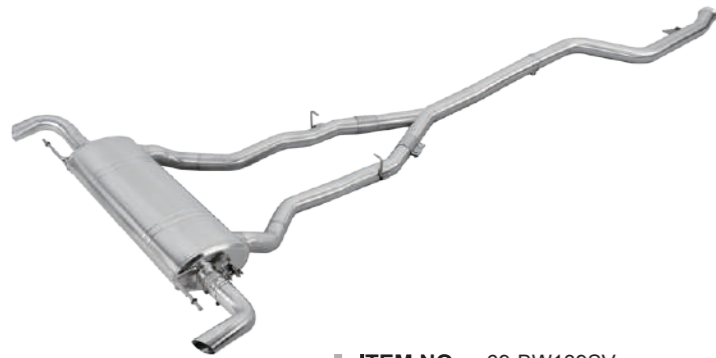
E-mail: sales@fufei-exhaust.com

FAX: +86-750-5626519

Website: www.liangfei-muffler.com



FOR BMW >>>



ITEM NO. : 69-BW139SV
ERP NO. : 116357
MODEL : For BMW G06 X6 40i
 W/ valve



ERP NO. : 186948 (Catted)
MODEL : For BMW G06 X6 40i



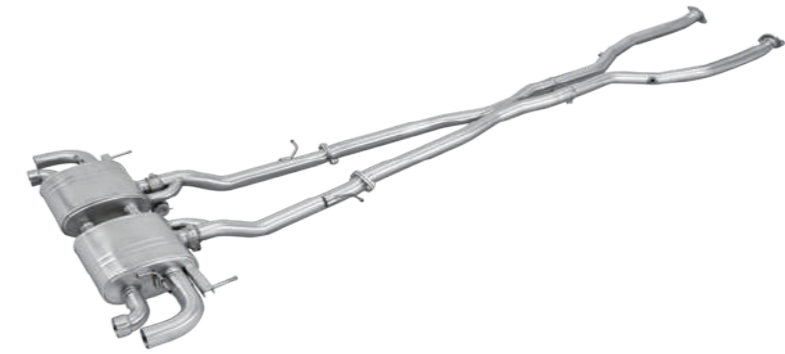
ERP NO. : 186995-02 (Catted)
MODEL : For BMW X4
 XDrive 20i 2020'

FOR LAMBORGHINI >>>



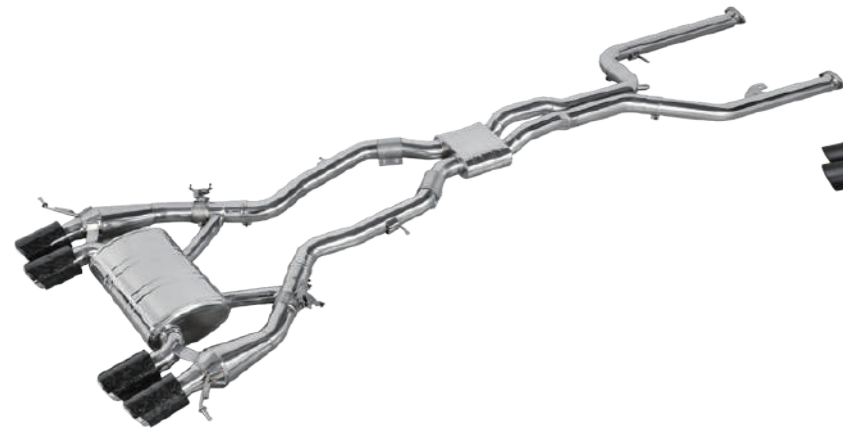
ITEM NO. : 55-LG105SV
ERP NO. : 126726-03
MODEL : For Lamborghini LP640-2
 W/ valves / Tail tips

FOR LEXUS >>>

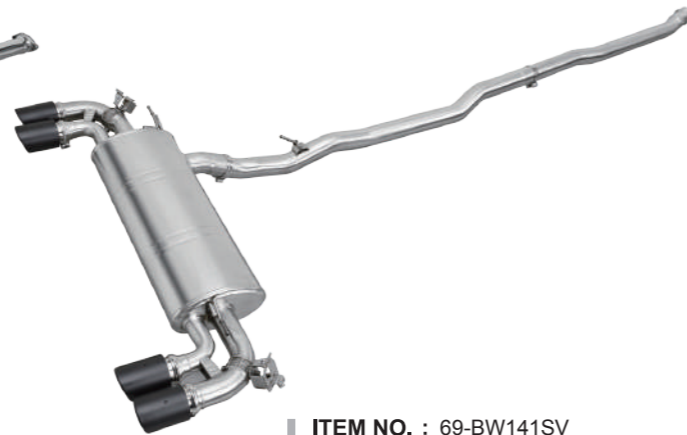


ITEM NO. : 69-LX101SV
ERP NO. : 116362-01
MODEL : For Lexus LC500
 W/ valves

FOR BMW >>>



ITEM NO. : 69-BW140SV
ERP NO. : 116359
MODEL : For BMW G87 M2
 W/ valves / Carbon fiber tips



ITEM NO. : 69-BW141SV
ERP NO. : 116365
MODEL : For BMW F70 M135i
 W/ valves / Carbon fiber tips

FOR MASERATI >>>



ERP NO. : 187003-02 (Catted)
MODEL : For Maserati Ghibli V8

FOR MERCEDES BENZ >>>

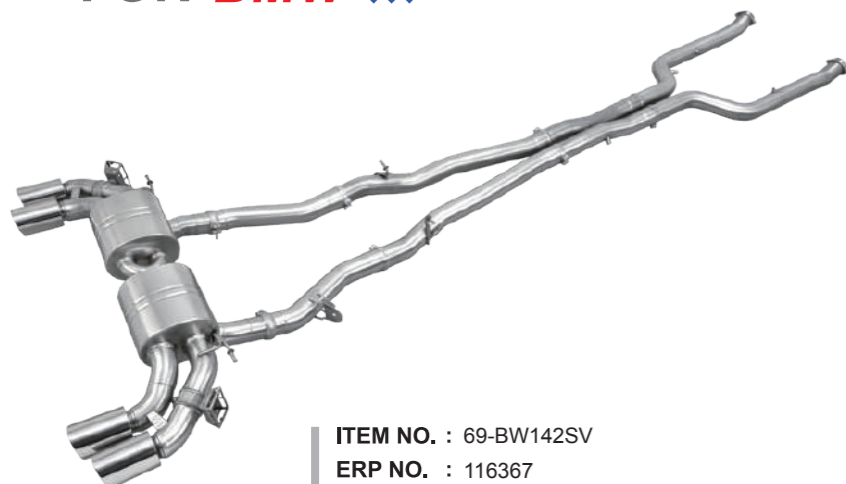


ERP NO. : 186994-04 (Catted)
MODEL : For M-Benz W206 C43
 W/ thermal isolation



ERP NO. : 186994-05 (Decatted)
MODEL : For M-Benz W206 C43
 W/ thermal isolation

FOR BMW >>>



ITEM NO. : 69-BW142SV
ERP NO. : 116367
MODEL : For BMW G99 M5
 W/ valves / Stainless tips



ERP NO. : 186990-02 (Catted)
MODEL : For BMW G99 M5

FOR MINI COOPER >>>



ITEM NO. : 68-MN006SV
ERP NO. : 116364
MODEL : For Mini Countryman
 John Cooper Works 2024'
 W/ valves / Carbon fiber tips



ERP NO. : 186977 (Catted)
MODEL : For Mini Countryman
 John Cooper Works 2024'

FOR MINI COOPER >>>



ITEM NO. : 68-MN007SV
 ERP NO. : 116366
 MODEL : For Mini Countryman S

FOR VOLKSWAGEN >>>



ERP NO. : 186875-10 (Catted)
 MODEL : For VW Tiguan R / Golf 8 R

FOR TOYOTA >>>



ITEM NO. : 69-TT114SV
 ERP NO. : 116358
 MODEL : For Toyota GR Corolla
 W/ valve / Carbon fiber tips

ERP NO. : 186966-01 (Catted)
 MODEL : For Toyota GR-86

ERP NO. : 186966 (Decatted)
 MODEL : For Toyota GR-86

FOR PORSCHE >>>



Titanium

ITEM NO. : 55-PS132T
 ERP NO. : 126688-12
 MODEL : For Porsche 992 GT3
 Titanium exhaust
 W/ valves / Carbon fiber tips

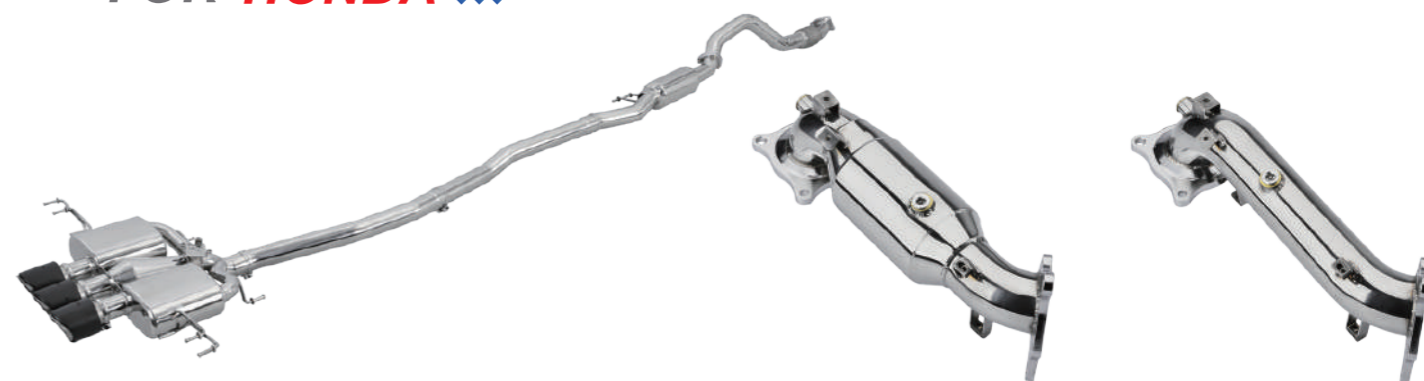


ITEM NO. : 64-604S
 ERP NO. : 146455 (Catted)
 MODEL : For Porsche 992 GT3
 / 992 GT3 RS



ITEM NO. : 64-602S-1
 ERP NO. : 146451-06 (Catted)
 MODEL : For Porsche 718 GT4

FOR HONDA >>>



ITEM NO. : 69-HD101SV
 ERP NO. : 116356
 MODEL : For HONDA CIVIC TYPE-R FL5 2023
 W/ valve / Carbon fiber tips

ERP NO. : 186954-03 (Catted)
 MODEL : For HONDA CIVIC
 TYPE-R FL5 2023

ERP NO. : 186954-04 (Decatted)
 MODEL : For HONDA CIVIC
 TYPE-R FL5 2023

FOR PORSCHE >>>



ERP NO. : 186779-02 (Catted)
 MODEL : For Porsche Cayenne V6 2019'



ERP NO. : 153668
 MODEL : For Porsche 992.2 GTS
 Carbon fiber tips



ERP NO. : 168308
 MODEL : For Porsche 992.2 GTS
 Titanium+Stainless tips

FOR SUBARU >>>



ITEM NO. : 69-SB108SV
 ERP NO. : 116363-01
 MODEL : For Subaru WRX 2022+
 W/ valves / stainless tips

ERP NO. : 146468
 MODEL : For Subaru WRX 2022+

ERP NO. : 186970 (Catted)
 MODEL : For Subaru WRX 2022+

TAIL PIPE >>>



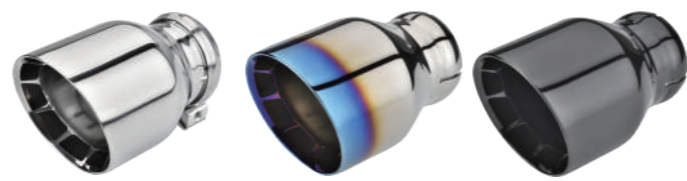
PART NO.	DESCRIPTION	Rolled Edge
153674	OD101*ID63.5*150L	Stainless tail pipe Polished
153674-01	OD101*ID63.5*150L	Stainless tail pipe Blue PVD
153674-02	OD101*ID63.5*150L	Stainless tail pipe Black PVD



PART NO.	DESCRIPTION
153675	OD101*ID63.5*150L Stainless tail pipe Polished
153675-01	OD101*ID63.5*150L Stainless tail pipe Blue PVD
153675-02	OD101*ID63.5*150L Stainless tail pipe Black PVD



PART NO.	DESCRIPTION	Rolled Edge
153681	OD101*ID63.5*150L	Stainless tail pipe Polished
153681-01	OD101*ID63.5*150L	Stainless tail pipe Blue PVD
153681-02	OD101*ID63.5*150L	Stainless tail pipe Black PVD



PART NO.	DESCRIPTION
153682	OD101*ID63.5*150L Stainless tail pipe Polished
153682-01	OD101*ID63.5*150L Stainless tail pipe Blue PVD
153682-02	OD101*ID63.5*150L Stainless tail pipe Black PVD



PART NO.	DESCRIPTION
153677-01	OD89*ID63.5*150L Stainless tail pipe Polished



PART NO.	DESCRIPTION
153678-01	OD101*ID63.5*150L Stainless tail pipe Polished



PART NO.	DESCRIPTION
153679-01	OD101*ID63.5*150L Stainless tail pipe Polished



PART NO.	DESCRIPTION
153680-01	OD115*ID63.5*150L Stainless tail pipe Polished



PART NO.	DESCRIPTION	PART NO.	DESCRIPTION
153624	71/108*ID60.5*150L Forged carbon + Chromed stainless	153624-01	71/108*ID60.5*150L Forged carbon + Golden PVD



PART NO.	DESCRIPTION	PART NO.	DESCRIPTION
153624-02	71/108*ID60.5*150L Forged carbon + Black PVD	153665	OD90*ID63.5*150L Forged carbon + Painted stainless

VALVE >>>



PART NO.	DESCRIPTION
190232	Ø64 Electronic valve
190234	Ø76 Electronic valve for Benz



PART NO.	DESCRIPTION
190222-01	Ø64 Electronic valve
190224-01	Ø76 Electronic valve for BMW



PART NO.	DESCRIPTION
190222-14	Ø64 Electronic valve
190224-15	Ø76 Electronic valve for BMW with spring



PART NO.	DESCRIPTION
190229-01	Ø70 Electronic valve
190229-02	Ø76 Electronic valve for Porsche 992



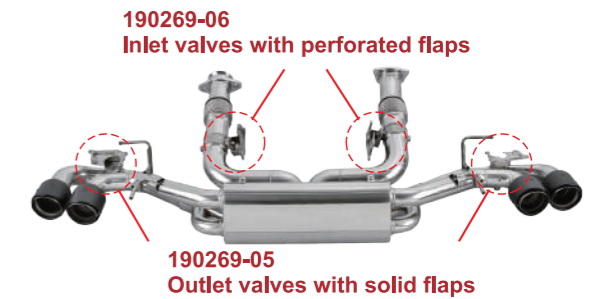
PART NO.	DESCRIPTION
190266-01	Ø64 Electronic valve
190266	Ø76 Electronic valve for GM models



PART NO.	DESCRIPTION
190273	Ø64 Electronic valve
190273-02	Ø76 Electronic valve for Audi RS4 B9
190278	Ø64 Electronic valve
190278-01	Ø76 Electronic valve for Audi RS3



PART NO.	DESCRIPTION
190269-06	Ø76 Electronic valve
190269-05	Ø64 Electronic valve for Corvette C8



PART NO.	DESCRIPTION
190291	Ø76 Electronic valve for Ford Ranger Raptor



PART NO.	DESCRIPTION
190299	Ø64 Electronic valve for Mini Cooper / BMW M135i



PART NO.	DESCRIPTION
591547	For cars originally without BMW motor Including: 1. Aftermarket BMW motor (without chip) 2. Controlling Chip box (1 to 2) 3. Remote control